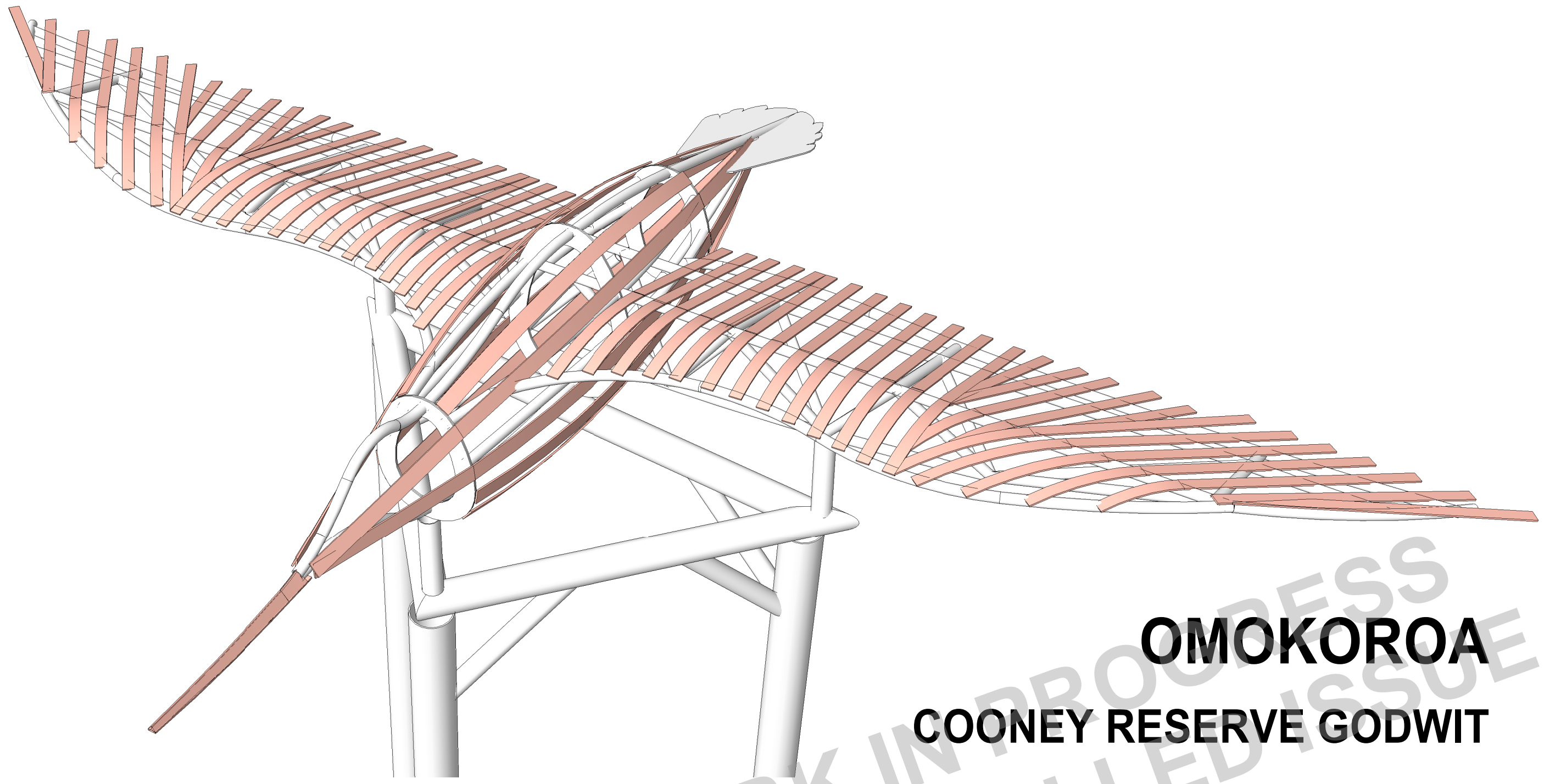


FOR INFORMATION 24/07/2024

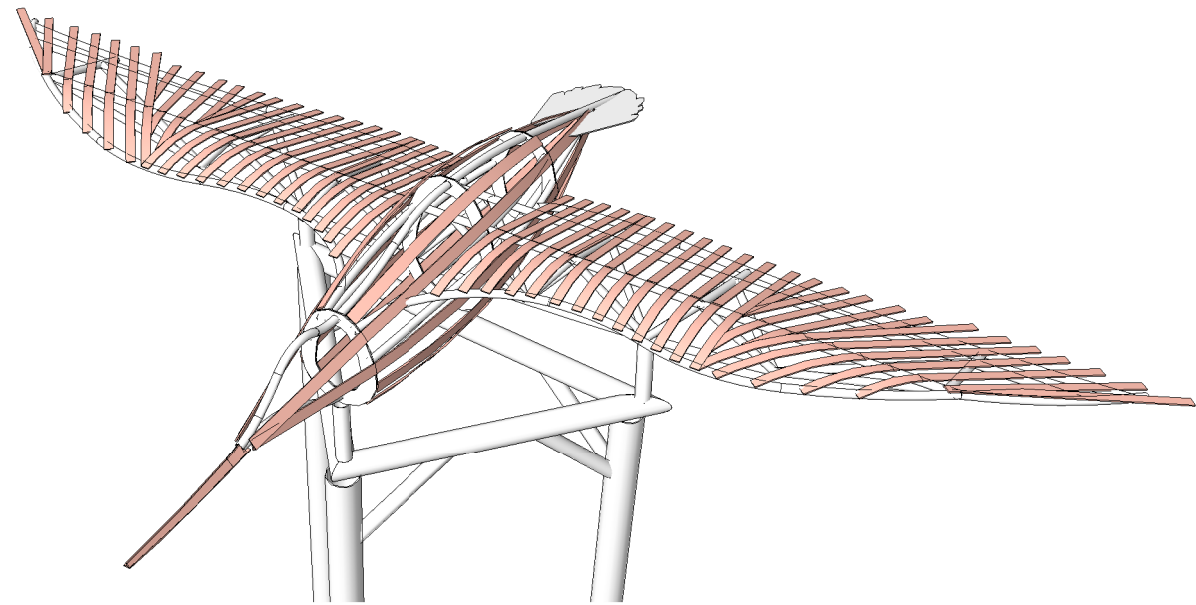


**OMOKOROA**  
**COONEY RESERVE GODWIT**

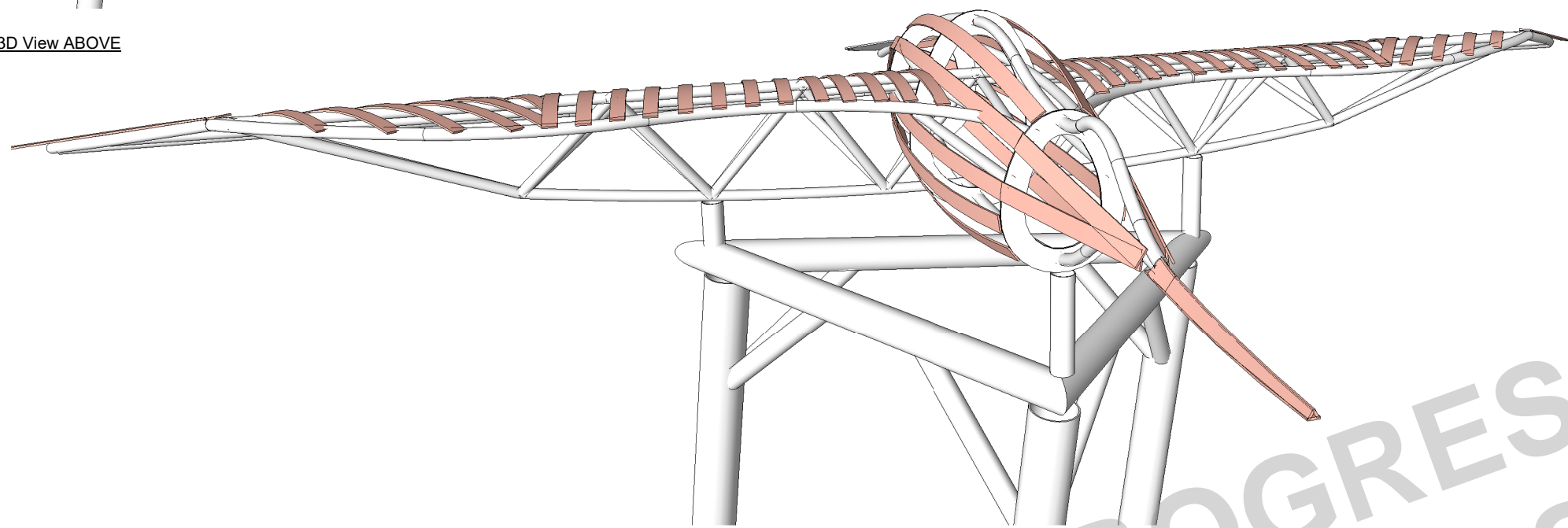
WORK IN PROGRESS  
UNCONTROLLED ISSUE  
24/07/2024 9:46:04 pm

**STRUCTURAL DRAWINGS**  
STATUS: FOR INFORMATION

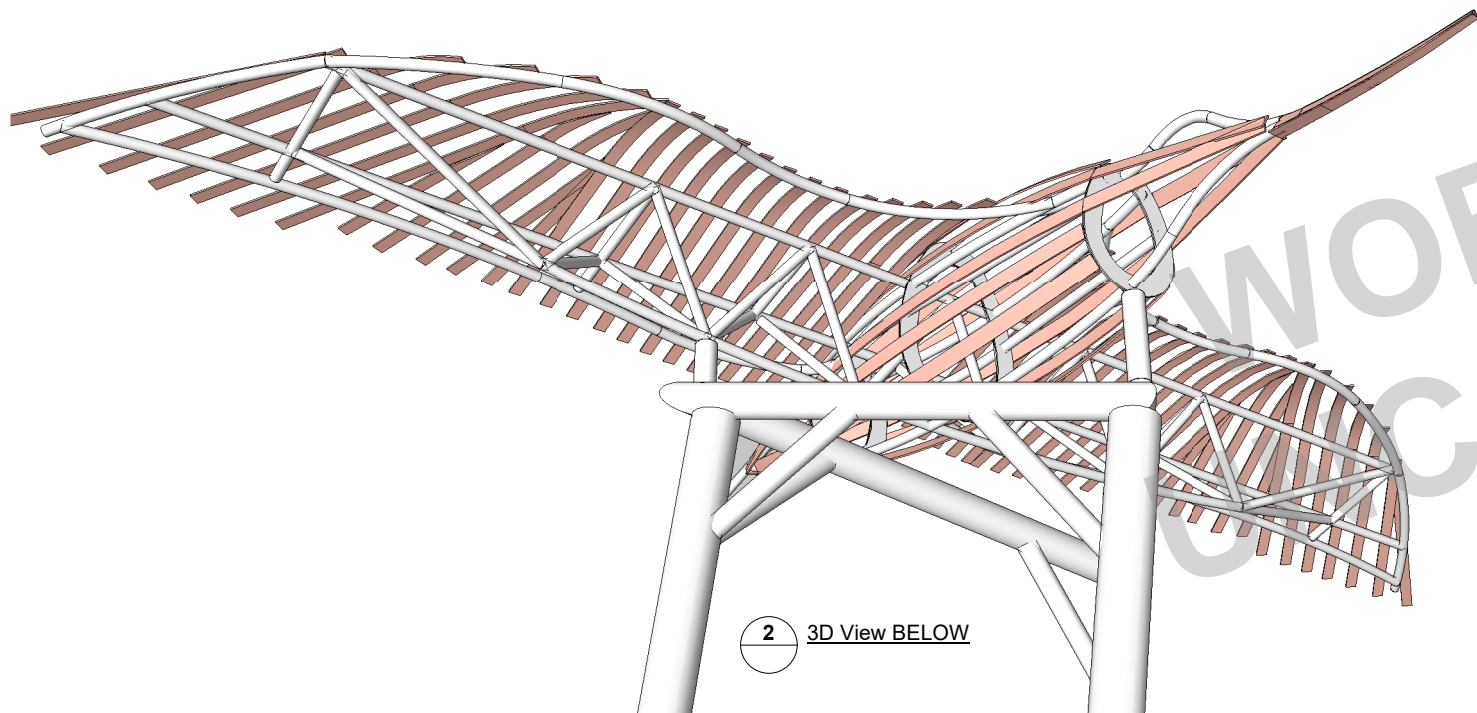
**PROJECT No: 43321**



1 3D View ABOVE



3 3D View FRONT



2 3D View BELOW

WORK IN PROGRESS  
 UNCONTROLLED ISSUE  
 24/07/2024 9:46:23 pm

REV	DATE	AMENDMENT	BY
-----	------	-----------	----

COPYRIGHT

CLIENT

**FOR INFORMATION**  
 24-07-2024

**OMOKOROA**  
 COONEY RESERVE GODWIT

**DRAWING INDEX SHEET**  
**SCHEDULES & 3D VIEWS**

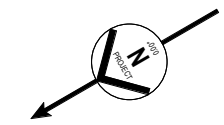
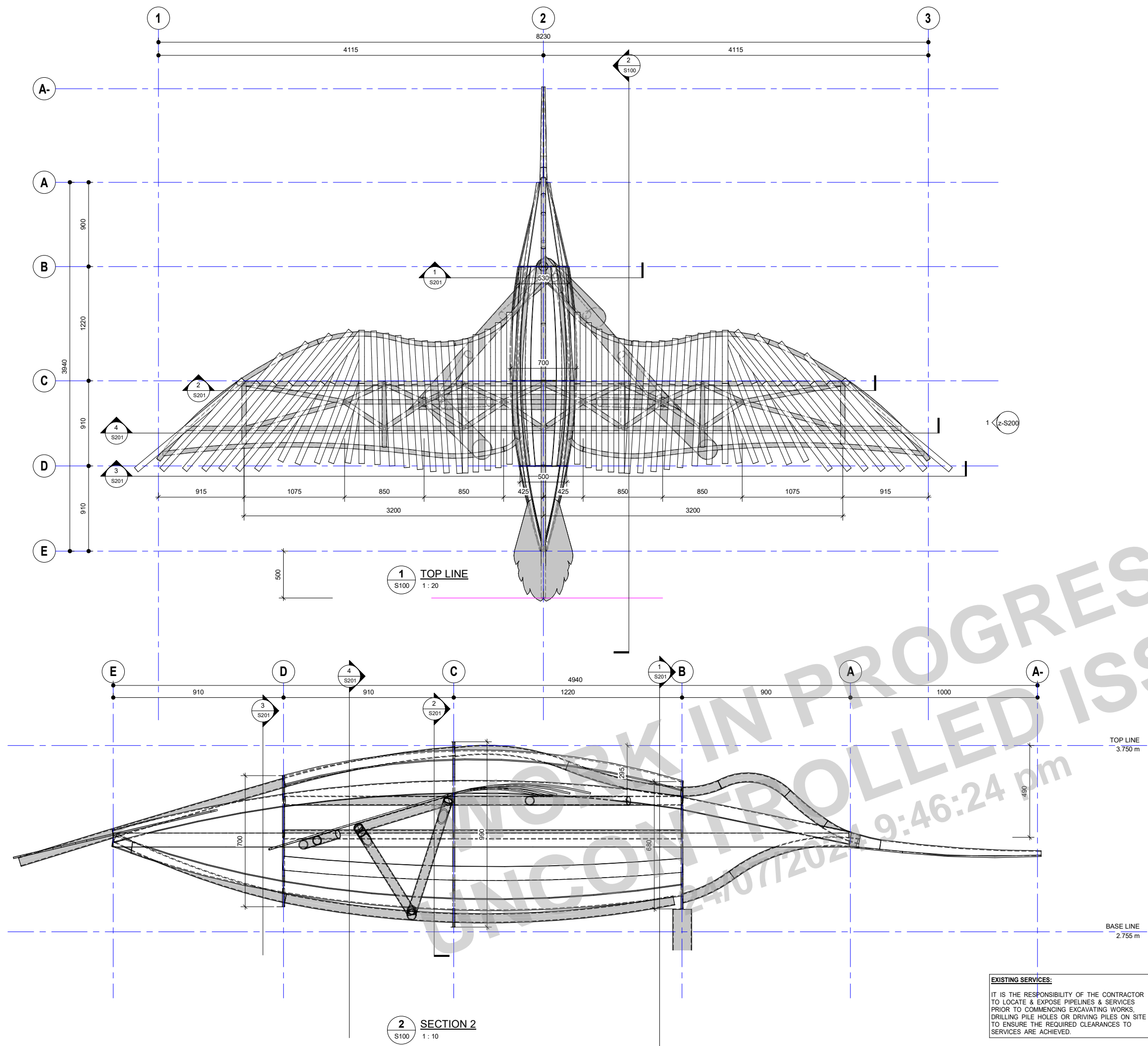
DESIGNED jy	DATE 2024
DRAWN Andrew Mc	CHECKED MP
A1 SCALE	A3 SCALE

DO NOT SCALE - IF IN DOUBT ASK

Proj No. **43321**

DWG No. **S001** REVISION

24/07/2024 9:39:51 PM



REV	DATE	AMENDMENT	BY

COPYRIGHT

CLIENT

**FOR INFORMATION**  
24-07-2024

**OMOKOROA**  
COONEY RESERVE GODWIT

**PLAN VIEW & ELEVATION**

DESIGNED jy	DATE 2024
DRAWN Andrew Mc	CHECKED MP
A1 SCALE	A3 SCALE
As indicated	

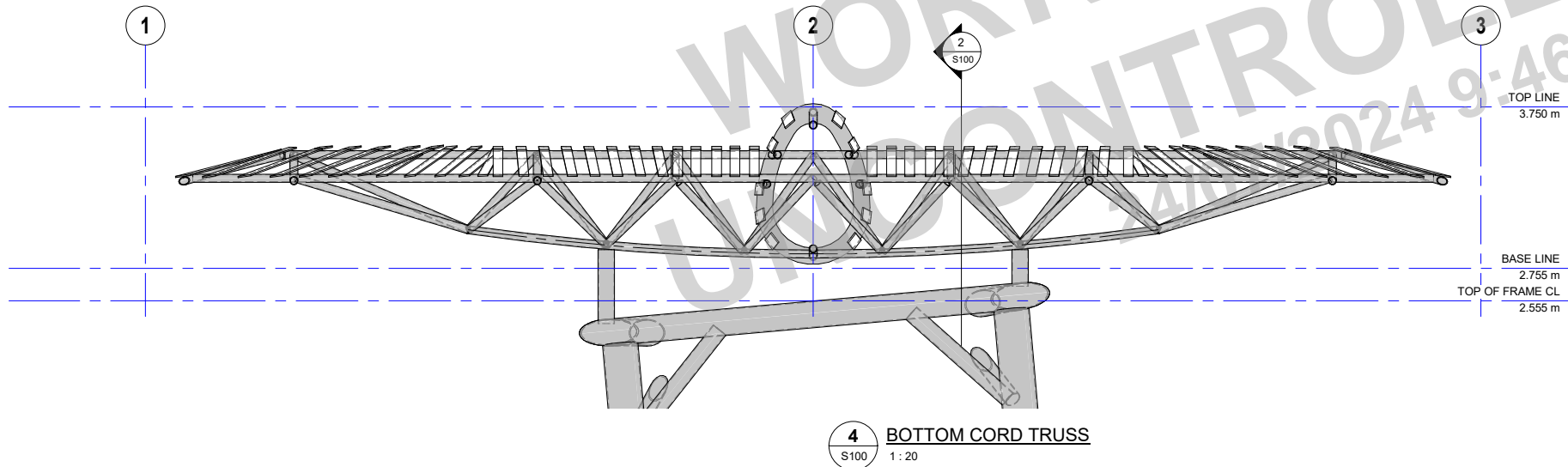
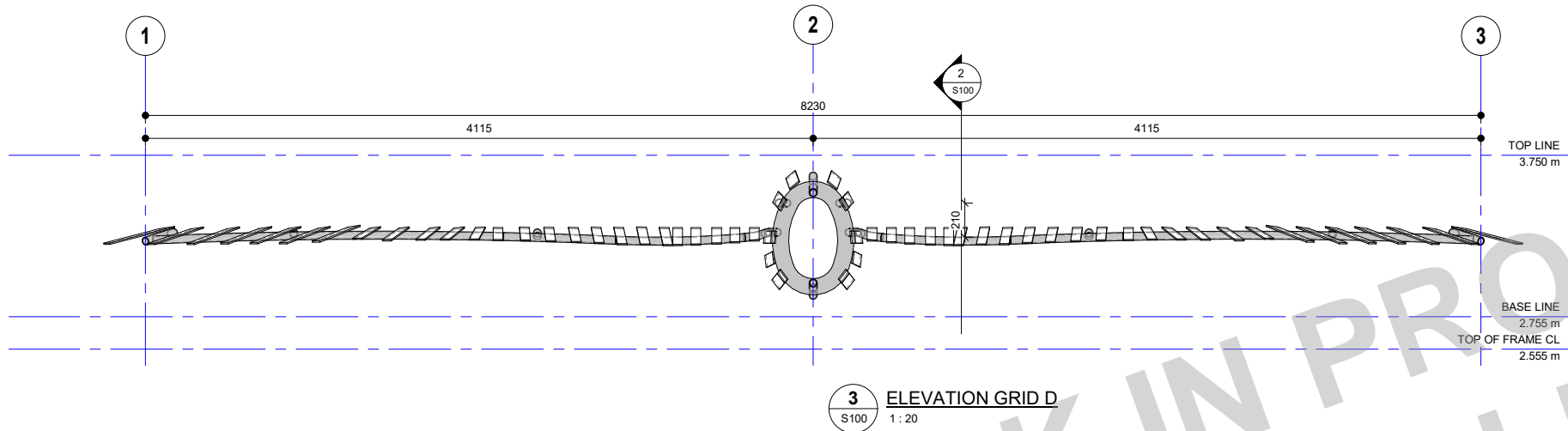
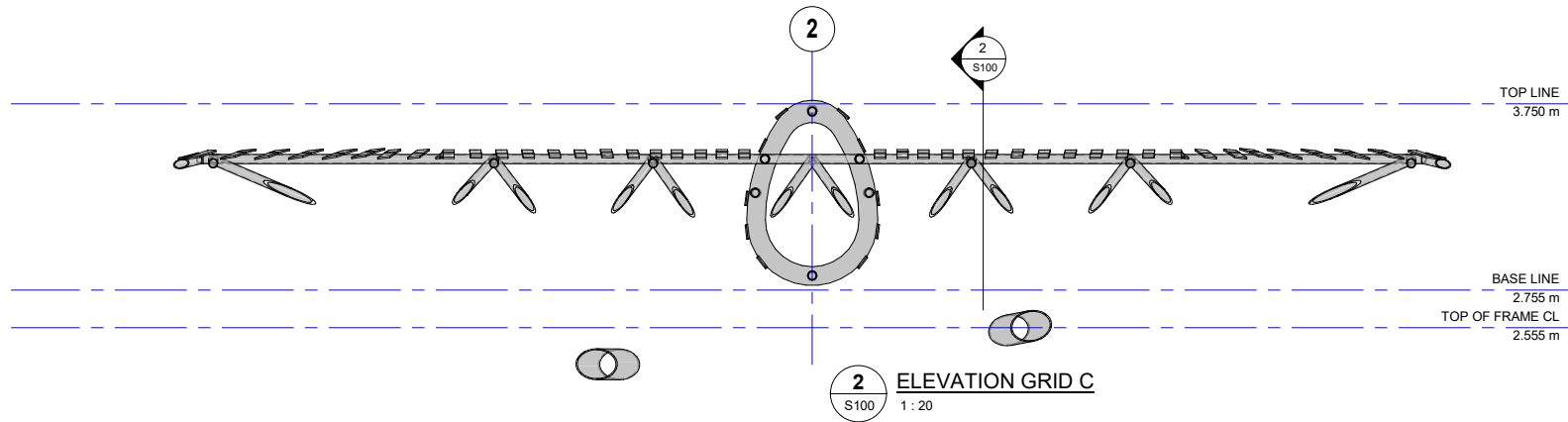
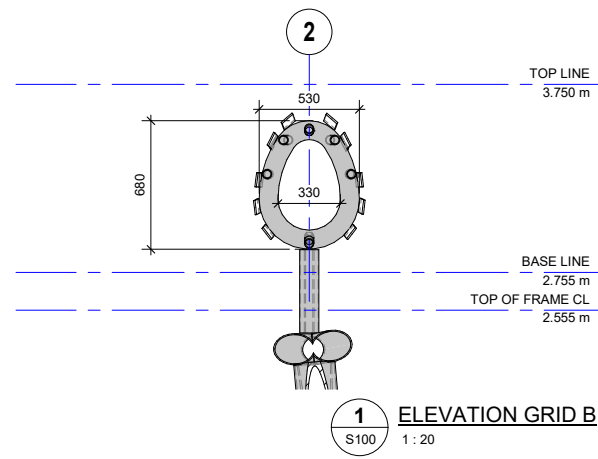
DO NOT SCALE - IF IN DOUBT ASK

Proj No. **43321**

DWG No. **S100** REVISION

**EXISTING SERVICES:**  
IT IS THE RESPONSIBILITY OF THE CONTRACTOR TO LOCATE & EXPOSE PIPELINES & SERVICES PRIOR TO COMMENCING EXCAVATING WORKS. DRILLING PILE HOLES OR DRIVING PILES ON SITE TO ENSURE THE REQUIRED CLEARANCES TO SERVICES ARE ACHIEVED.

24/07/2024 9:39:58 pm



REV	DATE	AMENDMENT	BY
-----	------	-----------	----

COPYRIGHT

CLIENT

**FOR INFORMATION**

24-07-2024

**OMOKOROA  
COONEY RESERVE GODWIT**

**ELEVATIONS OF GODWIT**

DESIGNED jy	DATE 2024
DRAWN Andrew Mc	CHECKED MP
A1 SCALE 1:20	A3 SCALE

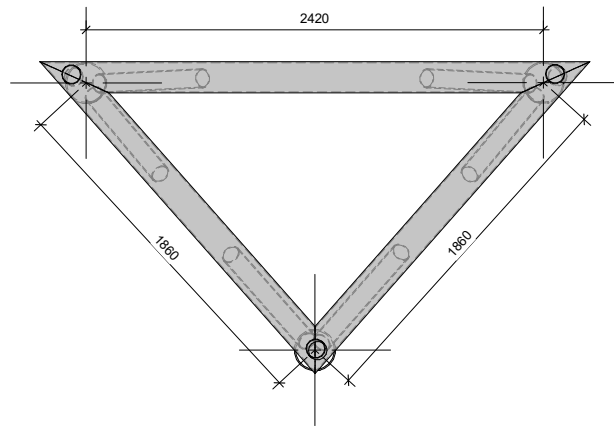
DO NOT SCALE - IF IN DOUBT ASK

Proj No.	<b>43321</b>
----------	--------------

DWG No.	<b>S201</b>	REVISION
---------	-------------	----------

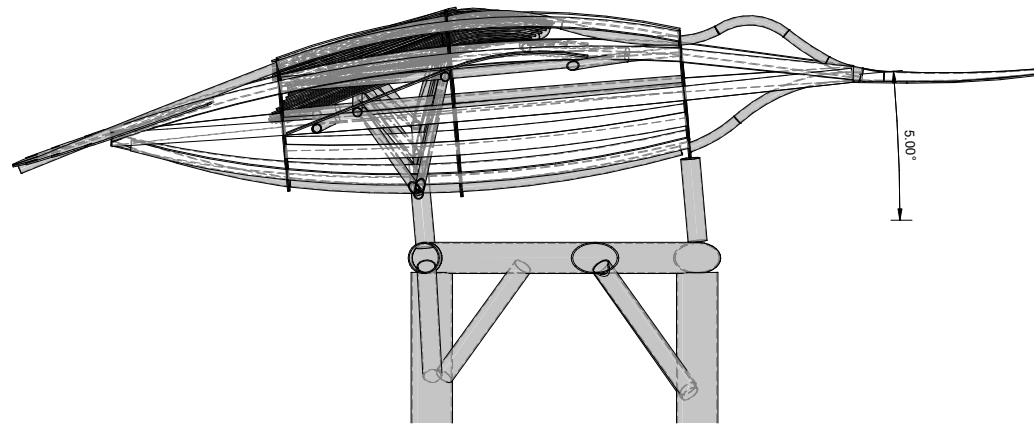
24/07/2024 9:40:04 PM

WORK IN PROGRESS  
UNCONTROLLED ISSUE

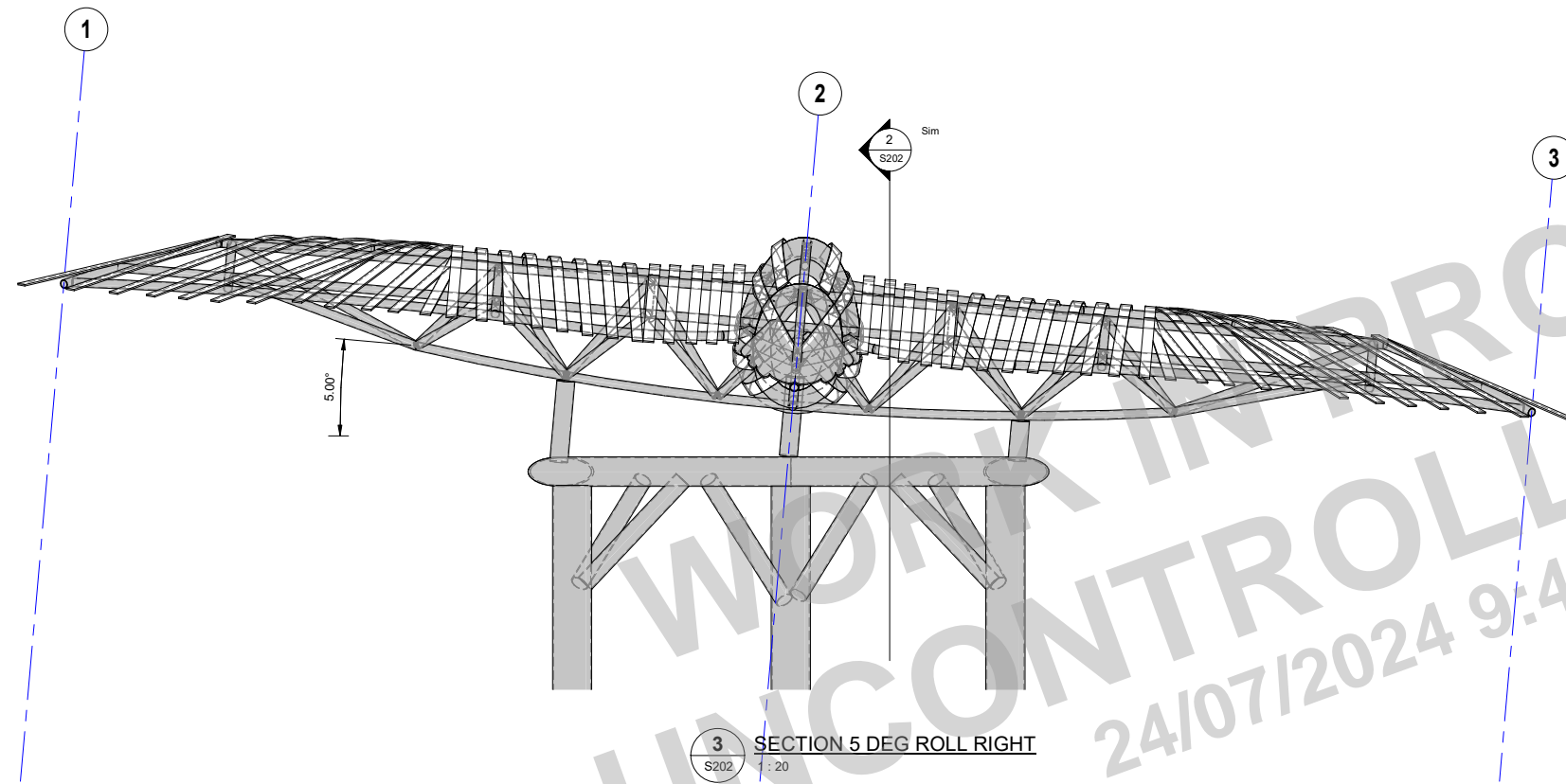


**1** PLAN BASE FRAME 5 DEG  
1 : 20

3  
S202



**2** SECTION BIRD 5 DEG PITCH UP  
S202 1 : 20



**3** SECTION 5 DEG ROLL RIGHT  
S202 1 : 20

WORK IN PROGRESS  
 UNCONTROLLED ISSUE  
 24/07/2024 9:46:24 pm

REV	DATE	AMENDMENT	BY

COPYRIGHT

CLIENT

**FOR INFORMATION**  
24-07-2024

**OMOKOROA**  
COONEY RESERVE GODWIT

**ELEVATIONS 5 DEG ROLL  
RIGHT 5 DEG PITCH UP**

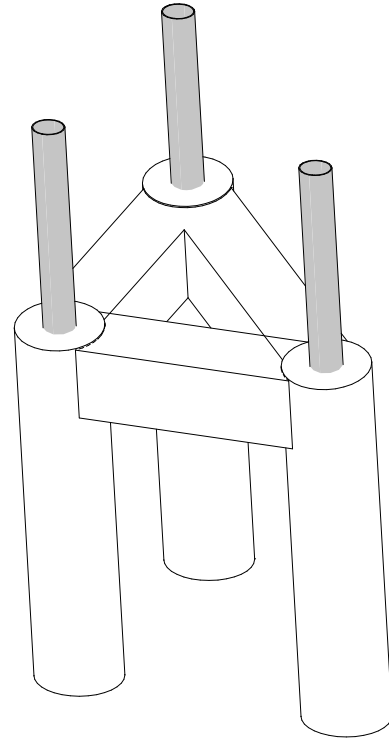
DESIGNED jy	DATE 2024
DRAWN Andrew Mc	CHECKED MP
A1 SCALE 1 : 20	A3 SCALE

DO NOT SCALE - IF IN DOUBT ASK

Proj No. **43321**

DWG No. **S202** REVISION

24/07/2024 9:40:12 pm



1 FOUNDATION

WORK IN PROGRESS  
 UNCONTROLLED ISSUE  
 24/07/2024 9:46:24 pm

REV	DATE	AMENDMENT	BY
COPYRIGHT			
CLIENT			
<b>FOR INFORMATION</b> 24-07-2024			
<b>OMOKOROA</b> COONEY RESERVE GODWIT			
<b>CONC DETAILS SHEET 1</b>			
DESIGNED	jy	DATE	2024
DRAWN	Andrew Mc	CHECKED	MP
	A1 SCALE		A3 SCALE
<b>DO NOT SCALE - IF IN DOUBT ASK</b>			
Proj No.	43321		
DWG No.	S301		REVISION

24/07/2024 9:40:12 PM